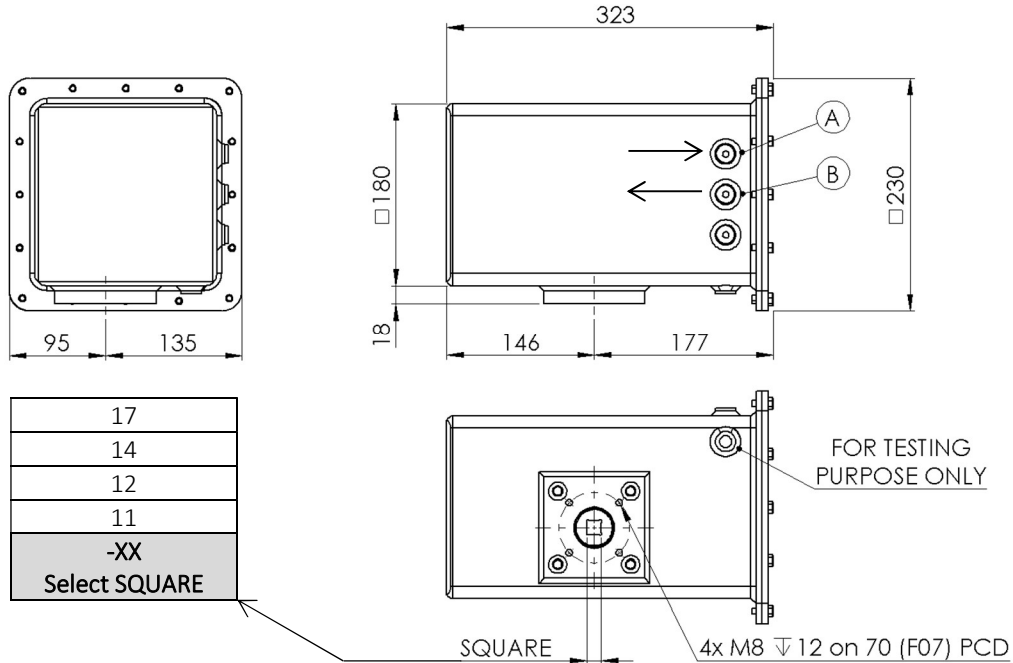


## BRA-0160-FC-12-S-A1 SUBMERSIBLE ACTUATOR – DATA SHEET

### Description

Actuators in the Spacx submersible series are pneumatic, spring return, fail-close actuators for quarter turn valves. Fully suitable for permanent submersible duty in (sea) water up to a depth of 20 meters. Position feedback is pneumatic, so no electrical connections are required.

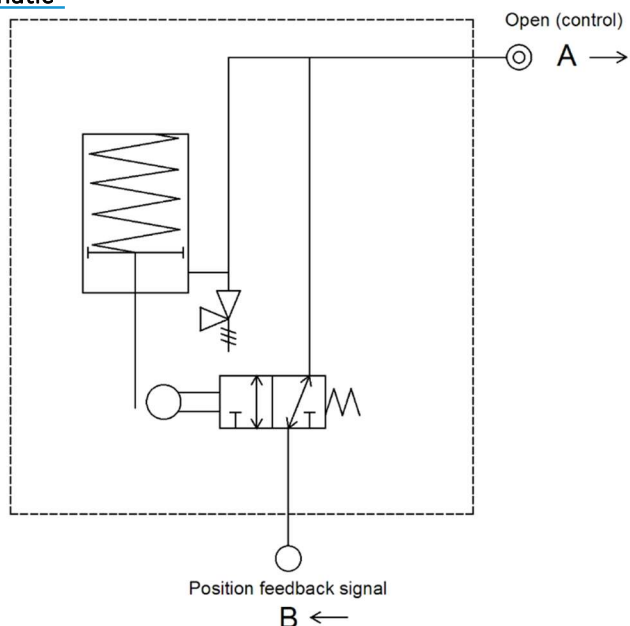
### Main Dimensions [mm]



### Technical Data

Nominal pressure	Maximum pressure	Output torque	Pneumatic connections	Weight	Housing material	Coating
6 bar	8 bar	76 Nm	1/4"	17 kgs	Carbon steel	2-pack epoxy 200µm TDFT - black

### Schematic



Spacx article no.: 681.188

### Spacx Actuators & Controls

Heinz Moormannstraat 1<sup>E</sup>, 5831 AS Boxmeer – The Netherlands  
 +31 (0)485-324739 – info@spacx.nl – [www.spacx.nl](http://www.spacx.nl)  
 All rights reserved, data is subject to change without notice