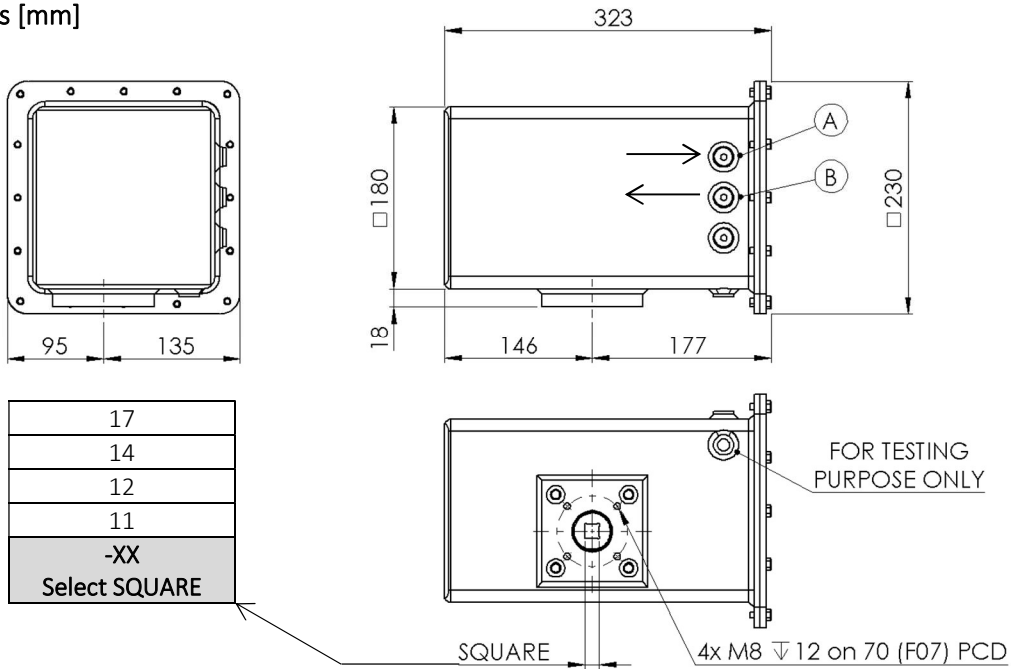


BRA-0160-FC-12-C-A1 IP67 ACTUATOR – DATA SHEET

Description

Actuators in the Spacx IP67 series are pneumatic, spring return, fail-Close (FC) actuators for quarter turn valves. Fully suitable for permanent duty in a marine or coastal environment complete with Beacon high visibility position indicator. Position feedback is pneumatic, so no electrical connections are required.

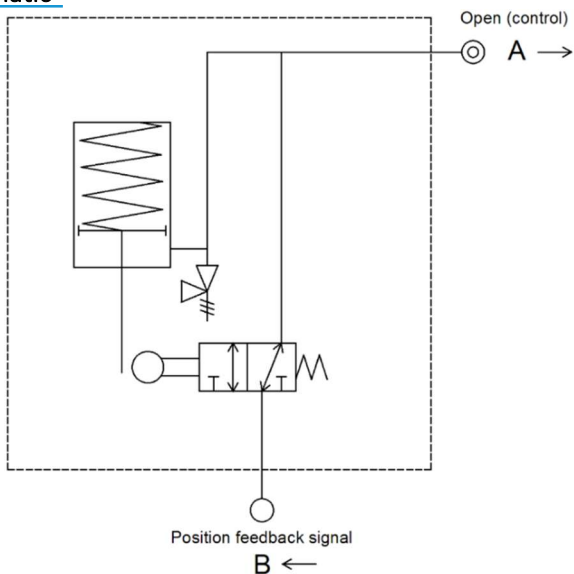
Main Dimensions [mm]



Technical Data

Nominal pressure	Maximum pressure	Output torque	Pneumatic connections	Weight	(*)	Housing material	Coating
6 bar	8 bar	76 Nm	1/4"	17 kgs	X	SS316	N/A

Schematic



Spacx article no.: 681.361