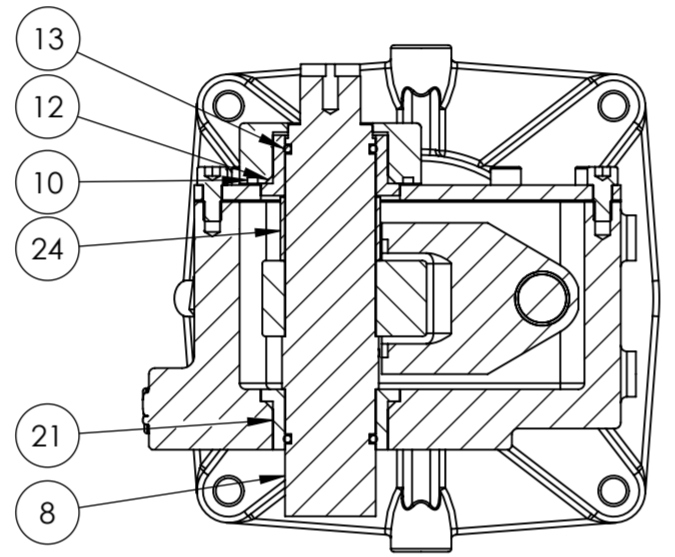
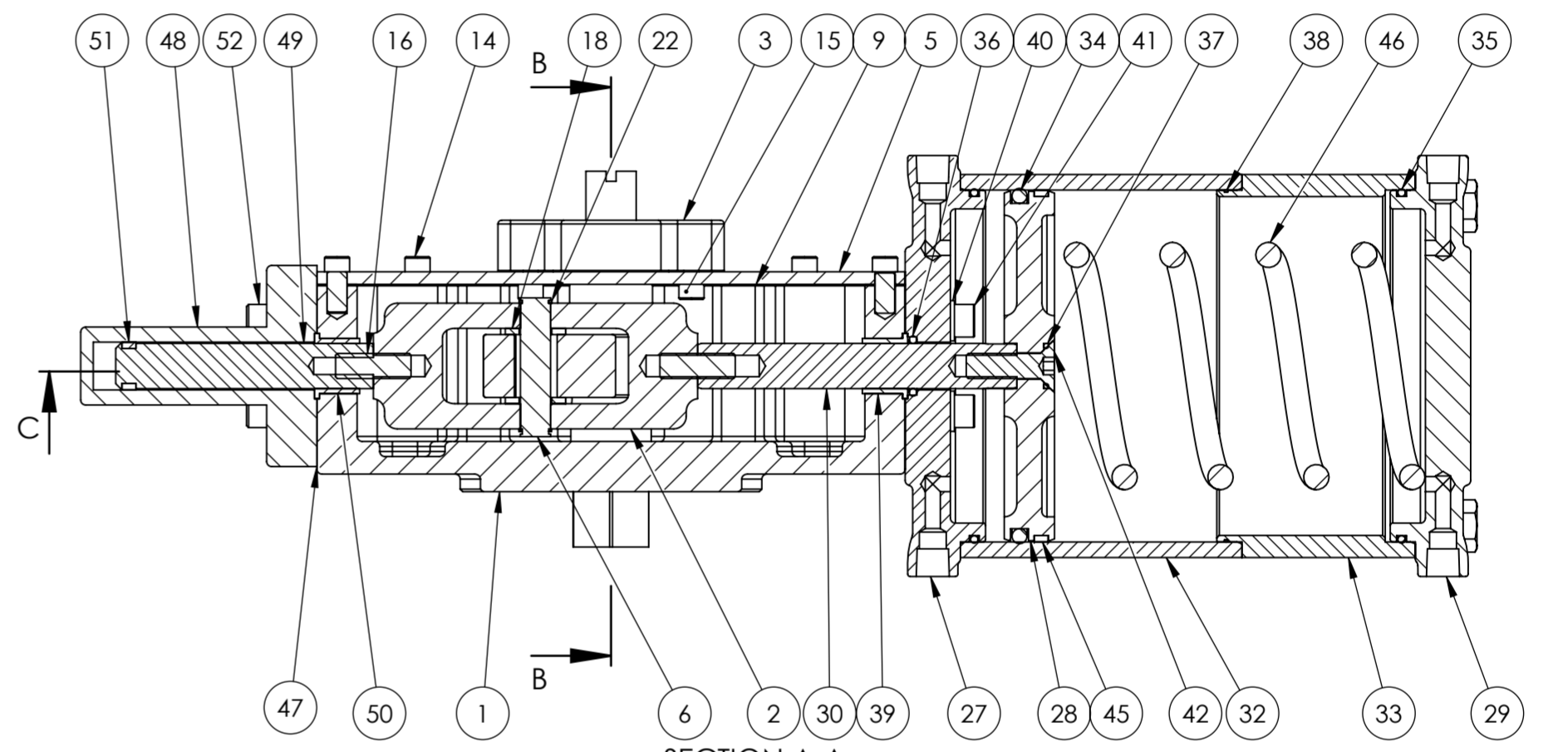
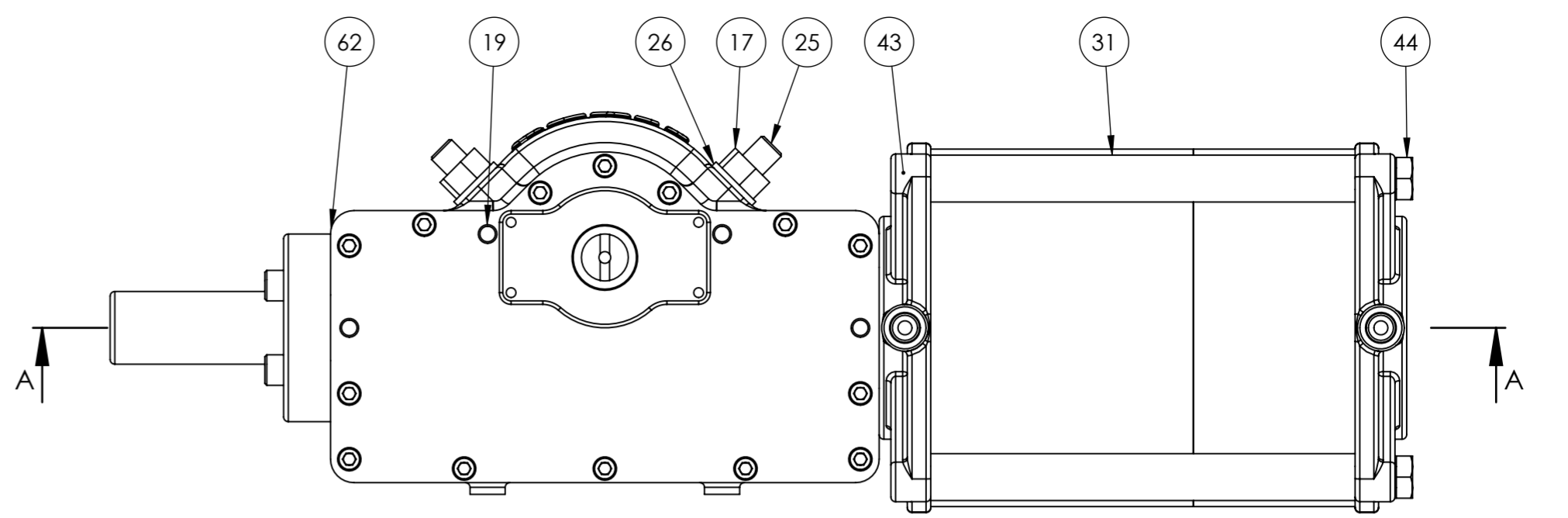


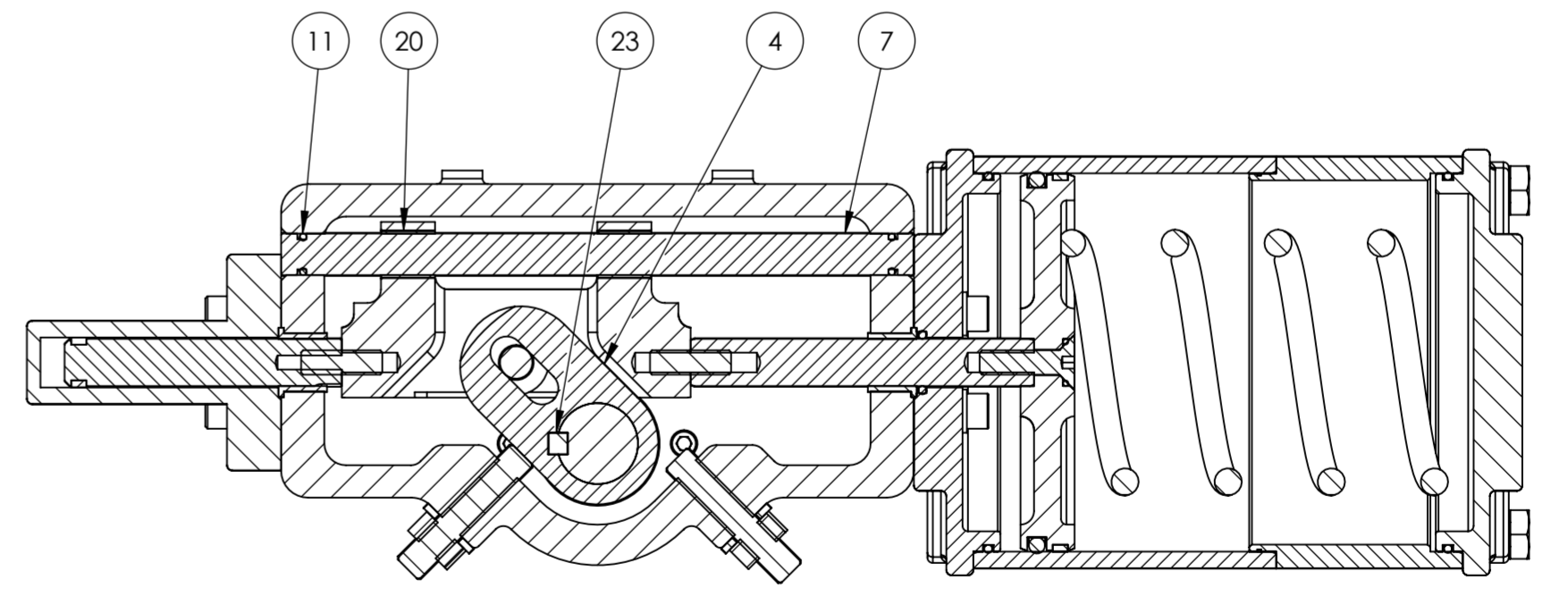
ITEM	DESCRIPTION	MATERIAL	QTY.
1	Body	SS316	1
2	Yoke Cage	SS316	1
3	Top Bearing	SS316	1
4	Yoke	SS316	1
5	Cover	SS316	1
6	Yoke Stem	SS316	1
7	Guide rod	1.4462 Dup	1
8	Drive stem	SS316	1
9	Cover Gasket	Klingersil	1
10	O-ring	NBR70	1
11	O-ring	NBR70	2
12	O-ring	NBR70	2
13	O-ring	NBR70	2
14	Socket head screw	A4	14
15	Socket head screw	A4	2
16	Stud	A4	2
17	Nut	A4	2
18	Washer	GBR.12	2
19	Dowel pin	A4	4
20	Bearing	Igildur-X	2
21	Bearing	GBR.12	2
22	Circlip	A4	2
23	Key	C45	1
24	Drive stem spacer	A4	1
25	Set screw	A4	2
26	Dowty washer	A4	2
27	Intermediate Cap	SS316	1
28	Piston	SS316	1
29	End Cap	SS316	1
30	Stem	SS316	1
31	Spring Tie-Rod	SS316	4
32	Cylinder	SS316	1
33	Spring Cylinder	SS316	1
34	O-ring	NBR70	1
35	O-ring	NBR70	2
36	O-ring	NBR70	1
37	O-ring	NBR70	1
38	O-ring	NBR70	1
39	Bearing	GBR12	1
40	Dowty washer	A4	4
41	Din912	A4	4
42	Din7991	A4	1
43	Din916	A4	4
44	Din933	A4	4
45	Guidestrip	PTFE	1
46	Spring	Spring steel	1
47	Gasket	Klingersil	2
48	Guide Cylinder	SS316	1
49	Guide Stem	SS316	1
50	Bearing	Bronze	1
51	Guide strip	PTFE	1
52	Socket head screw	A4	4




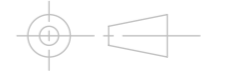
SECTION B-B



SECTION A-A



SECTION C-C

USE DIMENSIONS ONLY - DO NOT SCALE		NAME	DATE		REV.
DEBUR AND BREAK SHARP EDGES		DRAWN	R.K.		20-05-2019
DIMENSIONS ARE IN MILLIMETERS		CHECKED	A.K.	DESCRIPTION:	
THIRD ANGLE PROJECTION		REVISED		BYX40-P-SR Sectional view	
		STATE		DRAWING NO.	
		PRINTED		Sectional view	
PROPRIETARY AND CONFIDENTIAL:		MATERIAL:		SCALE: 1:2.5	
<small>THE INFORMATION CONTAINED IN THIS DRAWING IS THE SOLE PROPERTY OF SPACX ACTUATORS & CONTROLS. ANY REPRODUCTION IN PART OR AS A WHOLE WITHOUT THE WRITTEN PERMISSION OF SPACX ACTUATORS & CONTROLS IS PROHIBITED.</small>		WEIGHT:	kg	SHEET 1 OF 1	
				SIZE: A3	