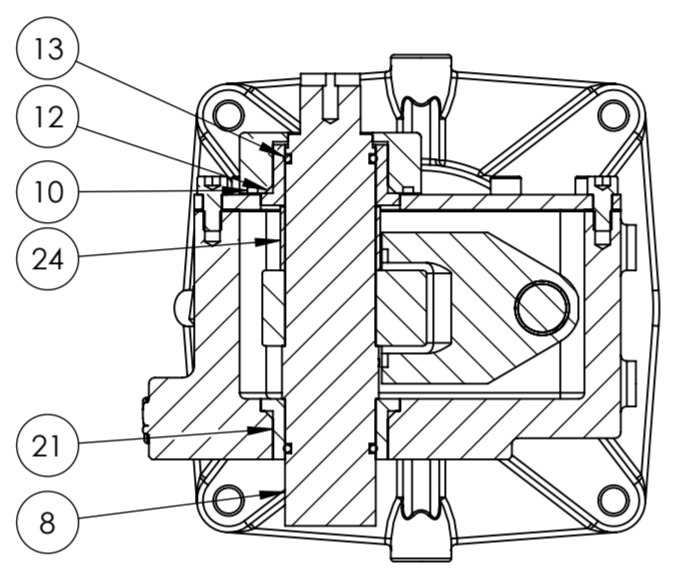
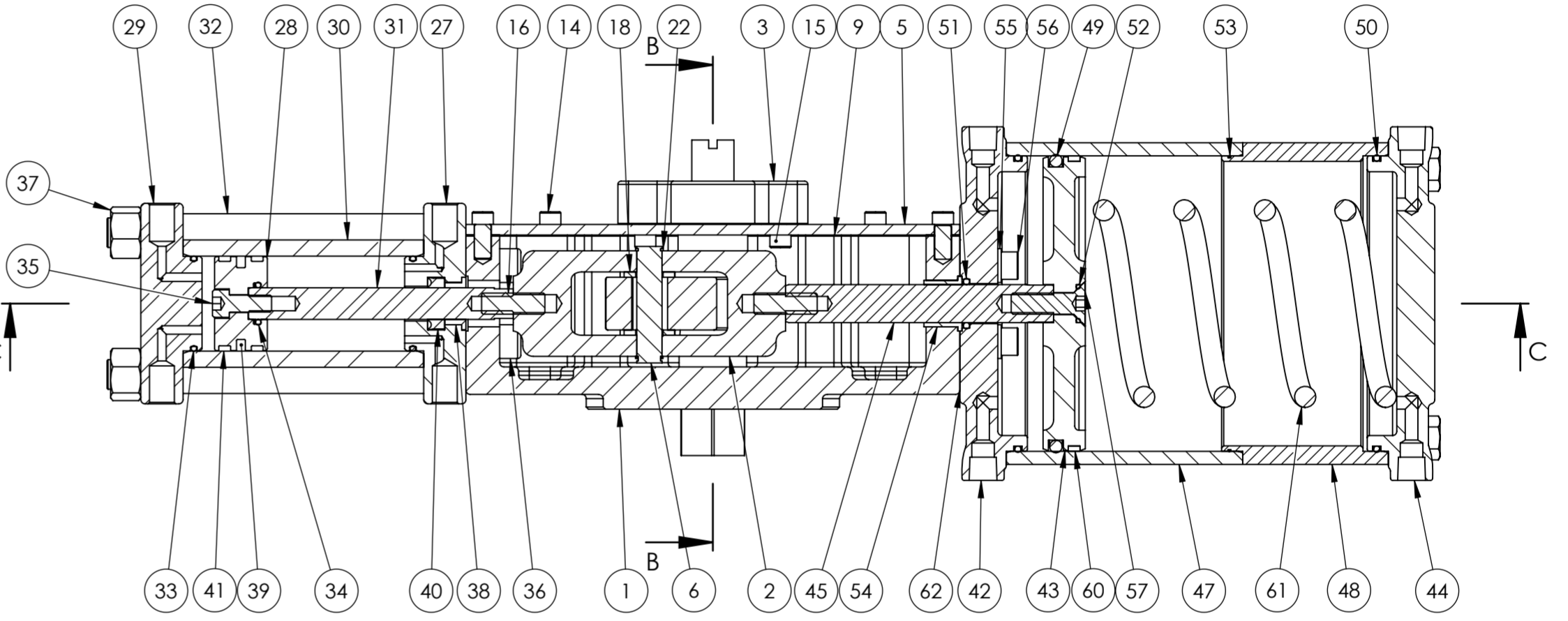
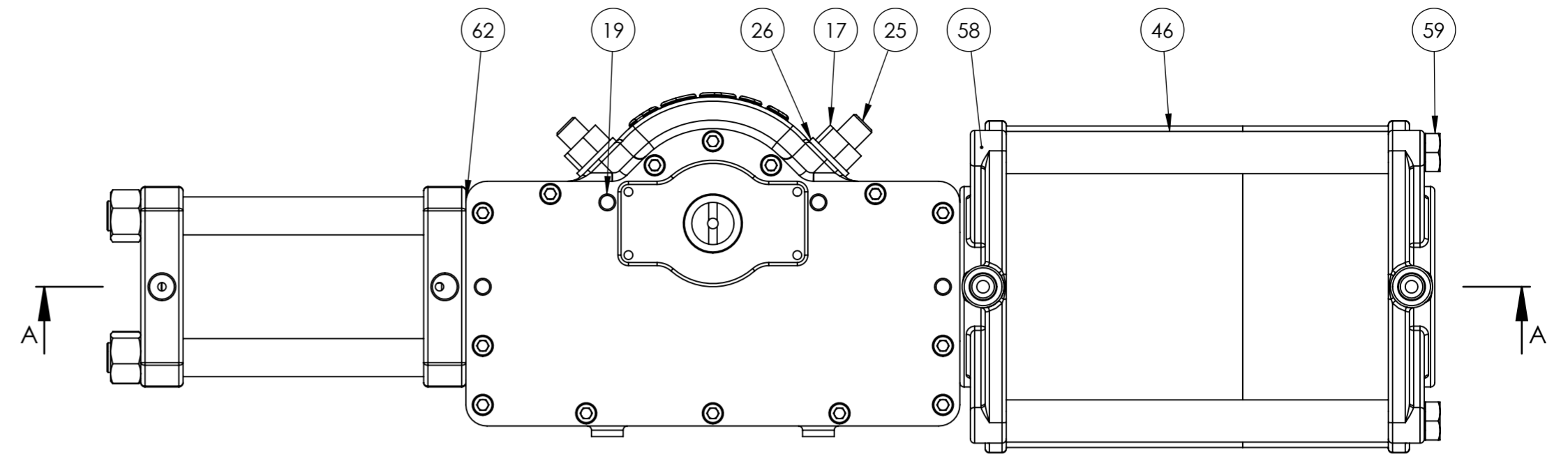


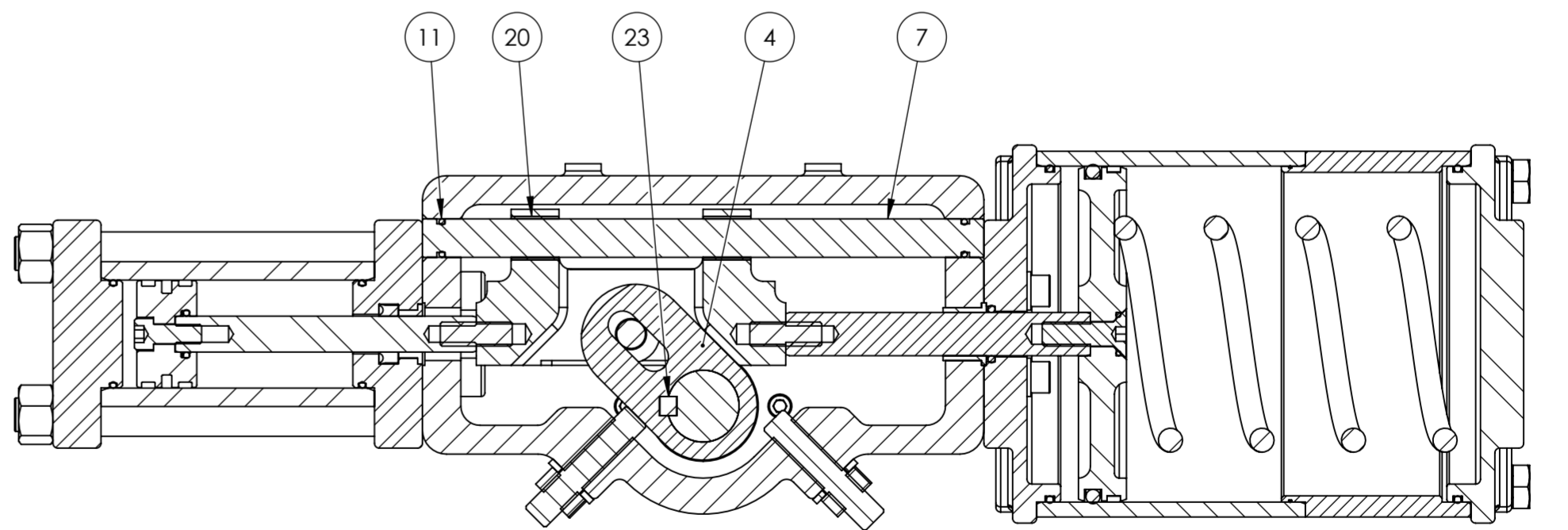
ITEM	DESCRIPTION	MATERIAL	QTY.
1	Body	SS316	1
2	Yoke Cage	SS316	1
3	Top Bearing	SS316	1
4	Yoke	SS316	1
5	Cover	SS316	1
6	Yoke Stem	SS316	1
7	Guide rod	1.4462 Dup	1
8	Drive stem	SS316	1
9	Cover Gasket	Klingersil	1
10	O-ring	NBR70	1
11	O-ring	NBR70	2
12	O-ring	NBR70	2
13	O-ring	NBR70	2
14	Socket head screw	A4	14
15	Socket head screw	A4	2
16	Stud	A4	2
17	Nut	A4	2
18	Washer	GBR.12	2
19	Dowel pin	A4	4
20	Bearing	Igildur-X	2
21	Bearing	GBR.12	2
22	Circlip	A4	2
23	Key	C45	1
24	Drive stem spacer	A4	1
25	Set screw	A4	2
26	Dowty washer	A4	2
27	Intermediate Cap	SS316	1
28	Piston	SS316	1
29	End Cap	SS316	1
30	Cylinder	SS316	1
31	Stem	SS316	1
32	Tie-Rod	SS316	4
33	O-ring	NBR90	2
34	O-ring	NBR90	1
35	Socket head screw	A4	1
36	Socket head screw	A4	4
37	Hex Nut	A4	4
38	Bearing	GBR12	1
39	Piston Seal	PU/NBR	1
40	Stem Seal	PU	1
41	Guide Strip	PTFE	2
42	Intermediate Cap	SS316	1
43	Piston	SS316	1
44	End Cap	SS316	1
45	Stem	SS316	1
46	Spring Tie-Rod	SS316	4
47	Cylinder	SS316	1
48	Spring Cylinder	SS316	1
49	O-ring	NBR70	1
50	O-ring	NBR70	2
51	O-ring	NBR70	1
52	O-ring	NBR70	1
53	O-ring	NBR70	1
54	Bearing	GBR12	1
55	Dowty washer	A4	4
56	Din912	A4	4
57	Din7991	A4	1
58	Din916	A4	4
59	Din933	A4	4
60	Guidestrip	PTFE	1
61	Spring	Spring steel	1
62	Gasket	Klingersil	2




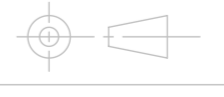
SECTION B-B



SECTION A-A



SECTION C-C

USE DIMENSIONS ONLY - DO NOT SCALE		NAME	DATE		REV.
DEBUR AND BREAK SHARP EDGES		DRAWN	27-5-2019		
DIMENSIONS ARE IN MILLIMETERS		CHECKED	A.K.	DESCRIPTION:	
THIRD ANGLE PROJECTION		REVISED		BYX40-H-SR Sectional view	
		STATE		DRAWING NO.	
		PRINTED		Sectional view	
PROPRIETARY AND CONFIDENTIAL:		MATERIAL:		SIZE:	
THE INFORMATION CONTAINED IN THIS DRAWING IS THE SOLE PROPERTY OF SPACX ACTUATORS & CONTROLS. ANY REPRODUCTION IN PART OR AS A WHOLE WITHOUT THE WRITTEN PERMISSION OF SPACX ACTUATORS & CONTROLS IS PROHIBITED.		WEIGHT:		SCALE: 1:2.5	
		kg		SHEET 1 OF 1	