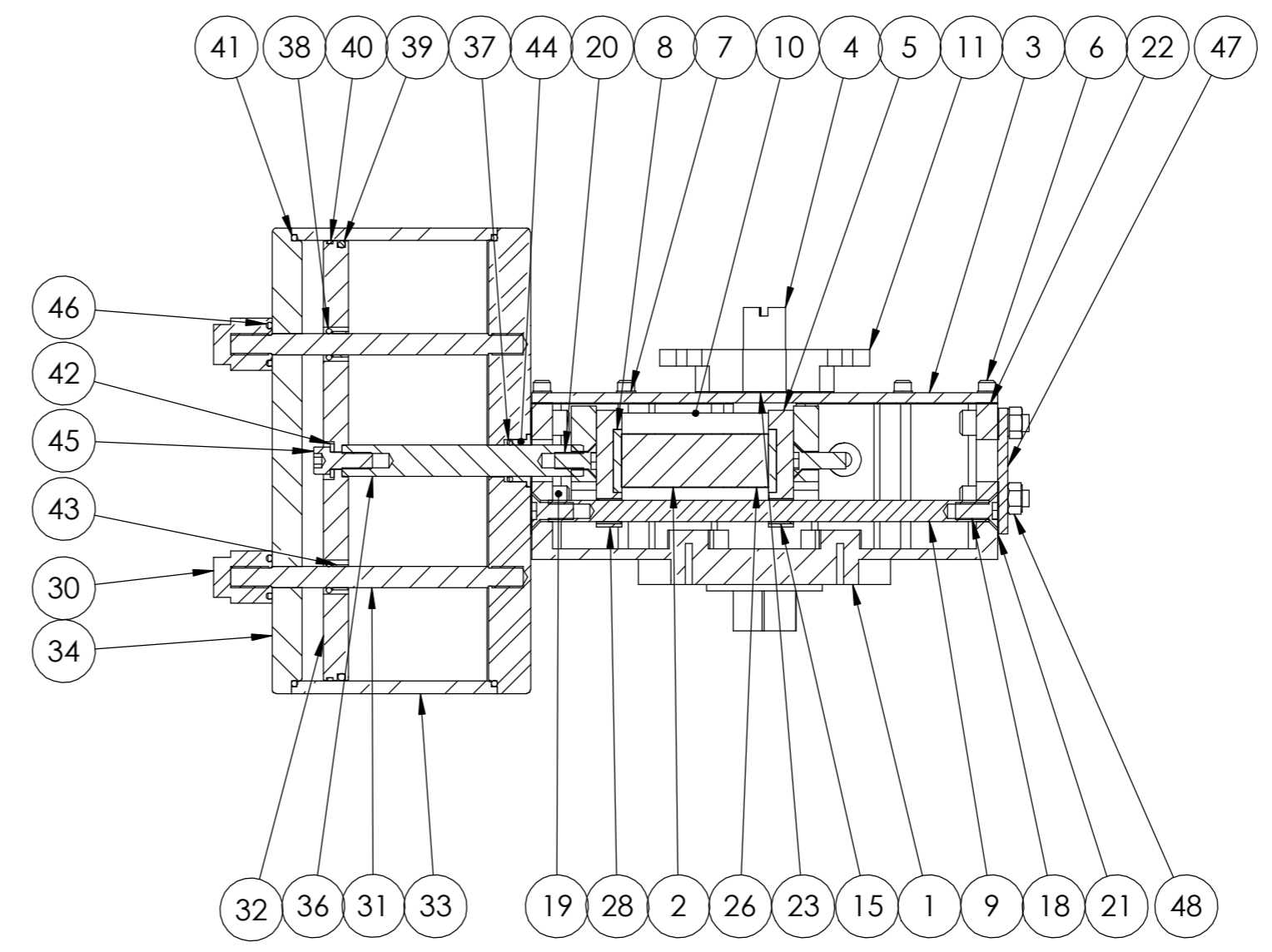
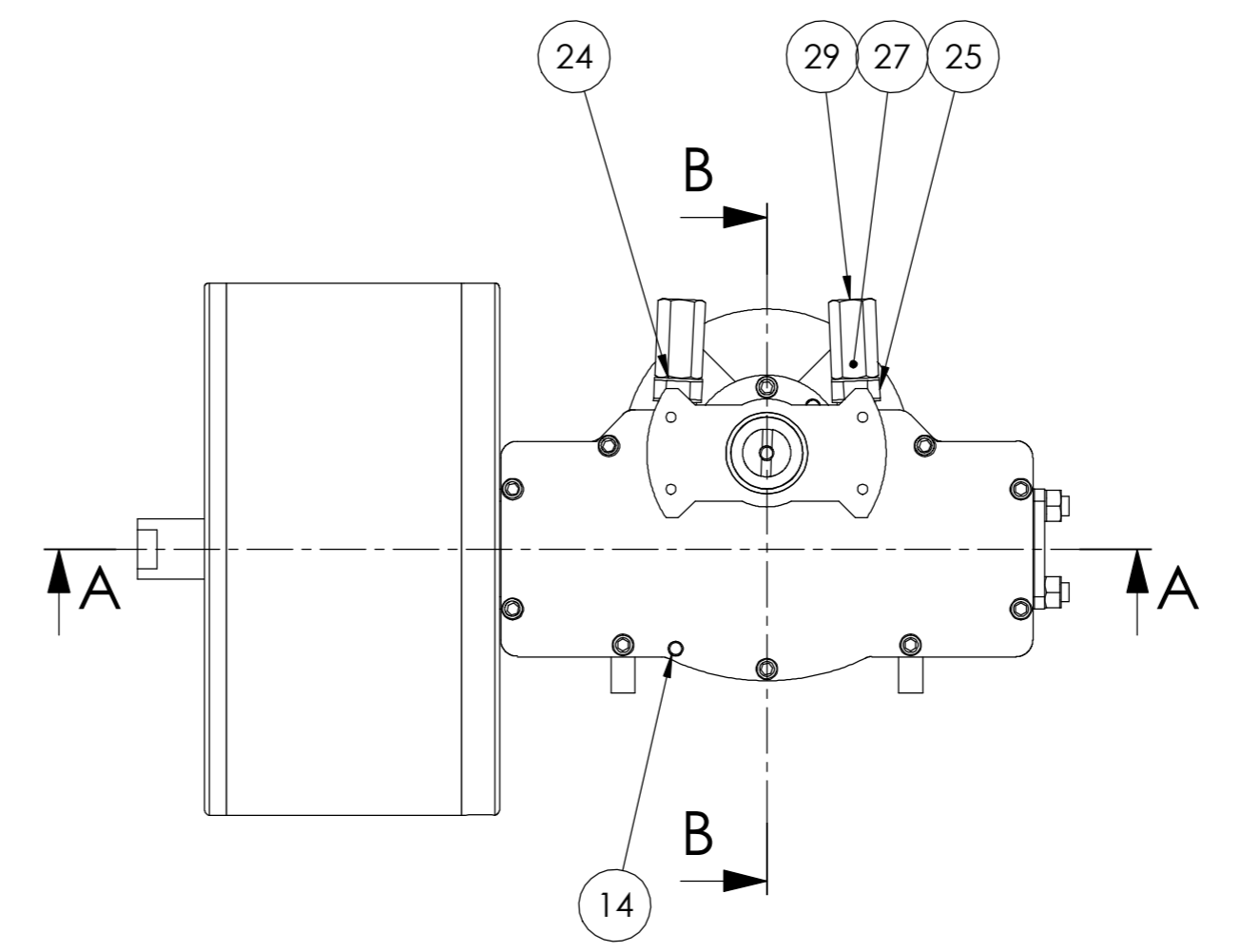


SECTION B-B



SECTION A-A

48	Hex Nut	Cs or StSt	4	
47	Blind Plate	Cs or StSt	1	
46	O-Ring	Nitrile	2	X
45	CSK Screw	High Tensile Carbon steel or A4	1	
44	Bearing	Bronze	1	
43	Glacier Bush	Steel or Bronze/PTFE	2	
42	Dowty Washer	CS or StSt/Nitrile	1	X
41	O-Ring	Nitrile	2	X
40	Guide Strip	PTFE	1	X
39	O-Ring	Nitrile	1	X
38	O-Ring	Nitrile	2	X
37	O-ring	Nitrile	1	X
36	Air Stem	Cs or StSt	1	
35	Air Intermediate Cap	Cs or StSt	1	
34	End Cap	Cs or StSt	1	
33	Cylinder	Cs or StSt	1	
32	Piston	Cs or StSt	1	
31	Tie-Rod	Cs or StSt	2	
30	Dome Nut	Cs or StSt	2	
29	End Stop	Cs or StSt	2	
28	Connection Plate	Cs or StSt	2	
27	Set Screw	High Tensile Carbon steel or A4	1	
26	Parallel Key	Key steel	1	
25	Nut	High Tensile Carbon steel or A4	2	
24	Dowty Washer	Cs or StSt/Nitrile	4	X
23	Top Plate Gasket	Klingersil	1	X
22	Cover Gasket	Klingersil	1	X
21	Cylinder Gasket	Klingersil	2	X
20	CSK Screw	High Tensile Carbon steel or A4	1	
19	Cap Screw	High Tensile Carbon steel or A4	8	
18	CSK Screw	High Tensile Carbon steel or A4	3	
17	Set Screw	High Tensile Carbon steel or A4	2	
16	CSK Screw	High Tensile Carbon steel or A4	8	
15	Glacier Bush	Steel or Bronze/PTFE	2	X
14	Dowel Pin	High Tensile Carbon steel or A4	2	
13	Glacier Bush	Steel or Bronze/PTFE	1	X
12	Glacier Bush	Steel or Bronze/PTFE	1	X
11	Top Plate	Cs or StSt	1	
10	Cam Spacer	Cs or StSt	4	
9	Cam Guide	Cs or StSt	1	
8	Wear Pad	PTFE	2	X
7	Washer	Carbon Steel or A4	10	
6	Socket head Screw	High Tensile Carbon steel or A4	10	
5	Drive Button	Cs or StSt	2	
4	Shaft	316-SS or 17-4PH	1	
3	Cover plate	Cs or StSt	1	
2	Cam	Cs or StSt	1	
1	Body	Cs or StSt	1	
ITEM	DESCRIPTION	MATERIAL	QTY.	SPARE

USE DIMENSIONS ONLY - DO NOT SCALE	NAME	DATE		REV.
DEBUR AND BREAK SHARP EDGES	DRAWN	10-11-2016		1
DIMENSIONS ARE IN MILLIMETERS	CHECKED		DESCRIPTION: <b>Actuator Assembly</b> BCSxx-Pxx-DA	DRAWING NO. BCSxx-Pxx-DA SIZE: A2
THIRD ANGLE PROJECTION	STATE			
PROPRIETARY AND CONFIDENTIAL: THE INFORMATION CONTAINED IN THIS DRAWING IS THE SOLE PROPERTY OF BRWKBV, BREDA. ANY REPRODUCTION IN PART OR AS A WHOLE WITHOUT THE WRITTEN PERMISSION OF BRWKBV, BREDA IS PROHIBITED.	PRINTED			
	MATERIAL:			
WEIGHT:	kg	SCALE: 1:3	SHEET 1 OF 1	