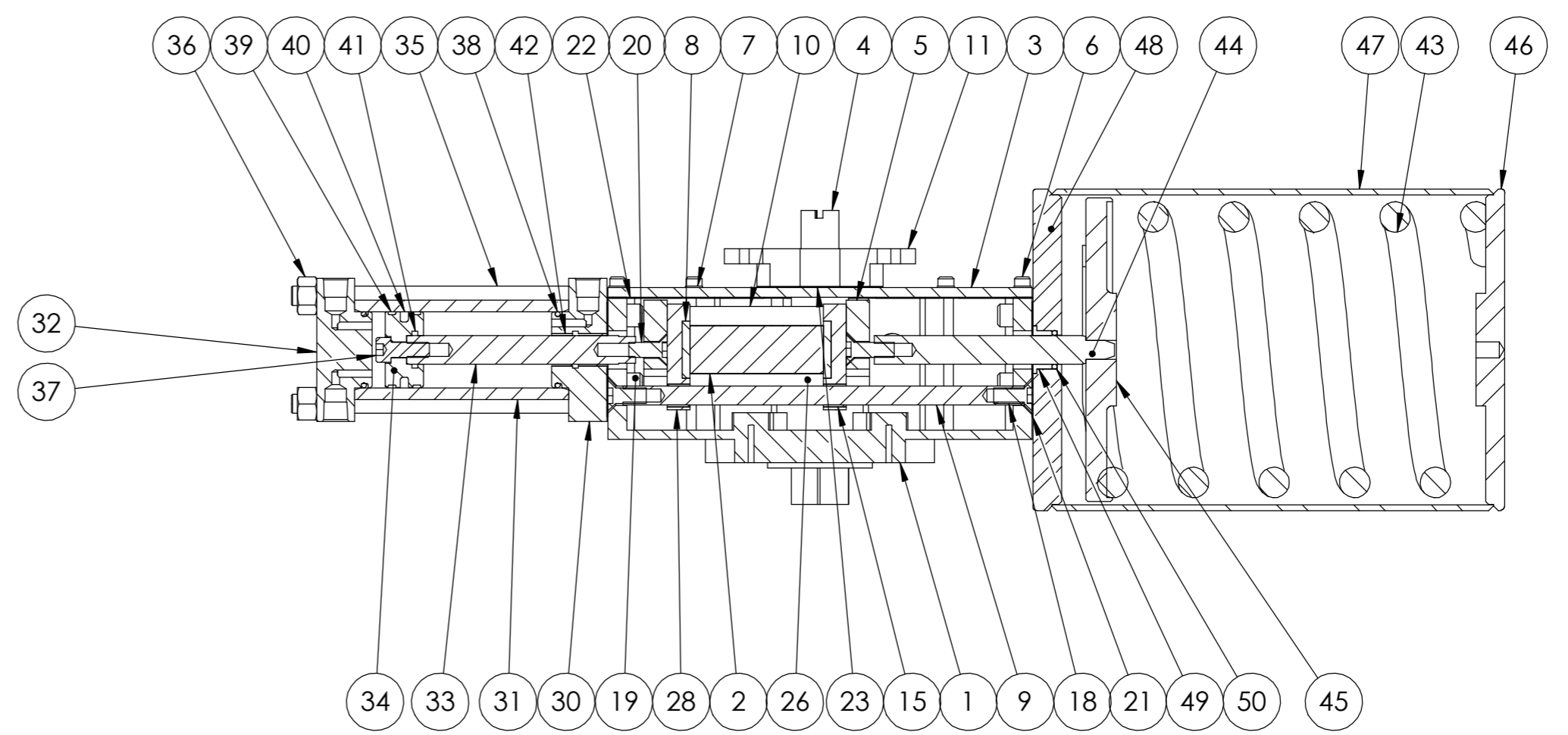
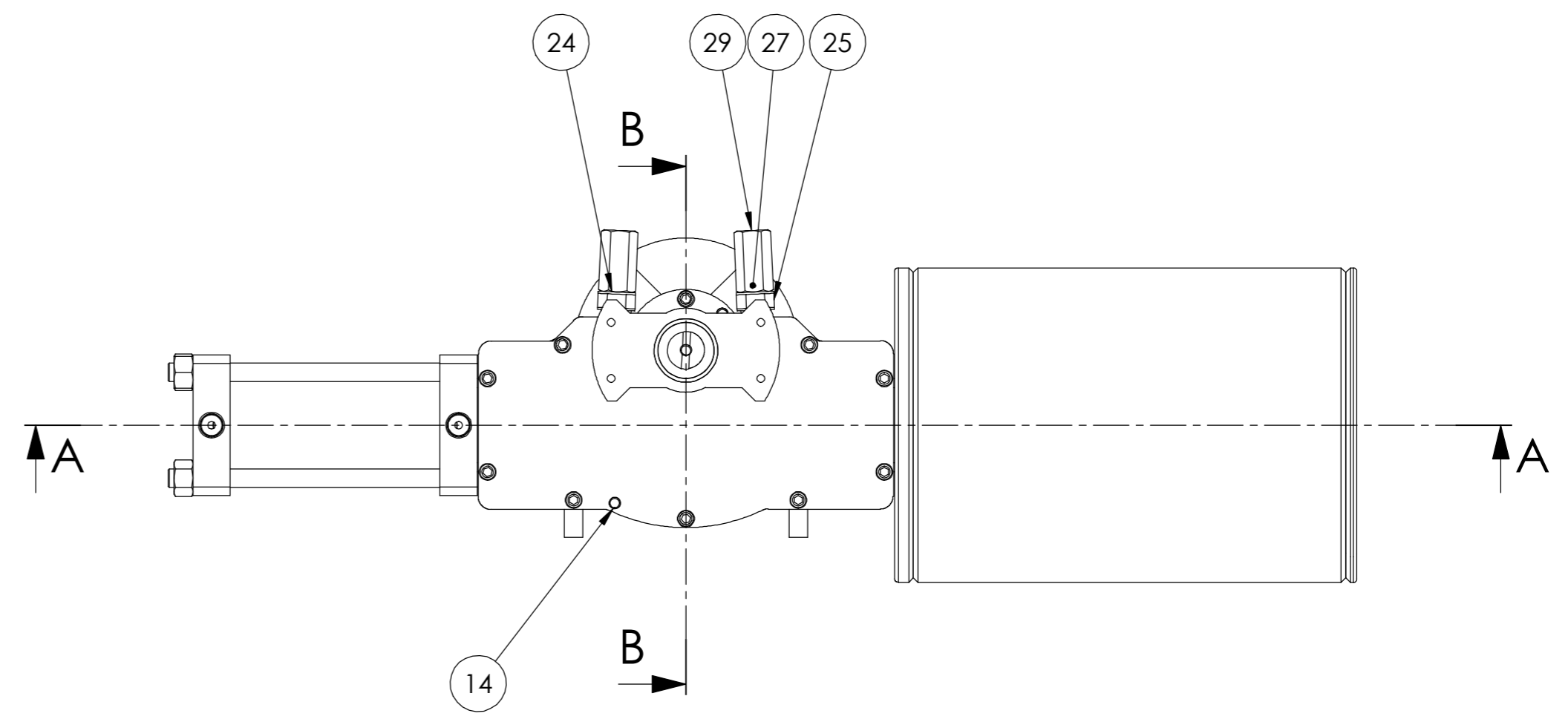


SECTION B-B



SECTION A-A

50	O-ring	Nitrile	1	X
49	Bearing	Bronze	1	X
48	Spring Bottom Plate	Cs or StSt	1	
47	Spring Cylinder	Cs or StSt	1	
46	Spring End Cap	Cs or StSt	1	
45	Spring Plate	Cs or StSt	1	
44	Spring Stem	StSt	1	
43	Spring	Spring Steel	1	
42	Glacier Bush	Steel or Bronze/PTFE	1	X
41	O-ring	Nitrile	2	X
40	Duoring	Nitrille/PTFE-Bronze filled	1	X
39	Wearing	Tetralon 510	2	X
38	O-ring	Nitrille	2	X
37	Hs Capscrew	High Tensile Carbon steel or A4	1	
36	Hex Nut	High Tensile Carbon steel or A4	4	
35	Tie Rod	CS or StSt	4	
34	Piston	CS or StSt	1	
33	Stem	StSt	1	
32	End Cap	CS or StSt	1	
31	Cylinder	CS or StSt	1	
30	Intermediate Cap	CS or StSt	1	
29	End Stop	Cs or StSt	2	
28	Connection Plate	Cs or StSt	2	
27	Set Screw	High Tensile Carbon steel or A4	1	
26	Parallel Key	Key steel	1	
25	Nut	High Tensile Carbon steel or A4	2	
24	Dowty Washer	Cs or StSt/Nitrile	4	X
23	Top Plate Gasket	Klingersil	1	X
22	Cover Gasket	Klingersil	1	X
21	Cylinder Gasket	Klingersil	2	X
20	CSK Screw	High Tensile Carbon steel or A4	1	
19	Cap Screw	High Tensile Carbon steel or A4	8	
18	CSK Screw	High Tensile Carbon steel or A4	3	
17	Set Screw	High Tensile Carbon steel or A4	2	
16	CSK Screw	High Tensile Carbon steel or A4	8	
15	Glacier Bush	Steel or Bronze/PTFE	2	X
14	Dowel Pin	High Tensile Carbon steel or A4	2	
13	Glacier Bush	Steel or Bronze/PTFE	1	X
12	Glacier Bush	Steel or Bronze/PTFE	1	X
11	Top Plate	Cs or StSt	1	
10	Cam Spacer	Cs or StSt	4	
9	Cam Guide	Cs or StSt	1	
8	Wear Pad	PTFE	2	X
7	Washer	Carbon Steel or A4	10	
6	Socket head Screw	High Tensile Carbon steel or A4	10	
5	Drive Button	Cs or StSt	2	
4	Shaft	316-SS or 17-4PH	1	
3	Cover plate	Cs or StSt	1	
2	Cam	Cs or StSt	1	
1	Body	CS or StSt	1	
ITEM	DESCRIPTION	MATERIAL	QTY.	SPARE

USE DIMENSIONS ONLY - DO NOT SCALE	NAME	DATE		REV.	
DEBUR AND BREAK SHARP EDGES	DRAWN	10-11-2016			
DIMENSIONS ARE IN MILLIMETERS	CHECKED		DESCRIPTION: <b>Actuator Assembly</b> BCSxx-Hxx-SR		
THIRD ANGLE PROJECTION	STATE			DRAWING NO.	SIZE
PROPRIETARY AND CONFIDENTIAL: THE INFORMATION CONTAINED IN THIS DRAWING IS THE SOLE PROPERTY OF BRWKBV, BREDA. ANY REPRODUCTION IN PART OR AS A WHOLE WITHOUT THE WRITTEN PERMISSION OF BRWKBV, BREDA IS PROHIBITED.	PRINTED			Sectional view BCS-BCX-H-SR	A2
	MATERIAL:		SCALE: 1:3	SHEET 1 OF 1	
	WEIGHT:	kg			